

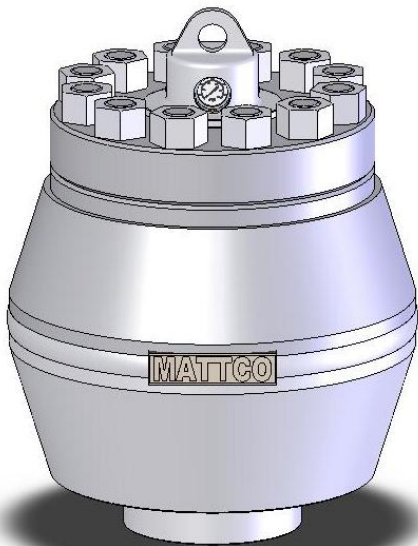


**Manufacturing Equipment for
the Oilfield Service Industry
Since 1947**

Mattco Pneumatic Discharge Dampeners

20 Gallon:

MATTCO Discharge Pulsation Dampeners are proudly made in the USA and are designed to stabilize the velocity variation of the liquid, mud or slurry for all makes and models of reciprocating pumps. MATTCO can nearly eliminate peak to peak pressure variations at all pump operating speeds. The elimination of pump and system dynamic responses directly results in increased safety, improved MWD signal processing and extended life of the pump and system components. The pneumatic discharge dampener has been the industry standard for the past 50 years.



- Manufactured by MATTCO since 1981.
- Forged-steel construction based on 4:1 safety factor.
- Pressure ratings of 5000, 7500, and 10,000 psi are available.
- ASME, ABS, CRN, CE, and DNV certifications available.
- Molded bladders are interchangeable with Hydril series K dampeners.
- Replaceable bottom plate connects to standard API flanges.
- Includes charging hose assembly, and mounting ring gasket, studs and nuts.
- Custom OEM designs and alternative pressure ratings available.

Additional discharge pulsation control equipment available:

- 10 gallon Pneumatic Discharge Dampeners.
- Maintenance-free discharge dampeners in all sizes from 5 to 160 gallons ranging in operating pressure from 150 to 25,000 psi.
- 140 gallon premium Combination Dampener.
- Wave Blocker plates and rings available in all configurations.

Specifications:

- Weight:
 - 5000: 2310 lbs.
 - 7500: 2520 lbs.
- Connection:
 - 5000 psi: 4-1/16", R-39 ring gasket
 - 1-1/4" – 8 Thd threaded studs and nuts
 - 7500 psi: 4-1/16", BX-155 ring gasket
 - 1-1/8" – 8 Thd threaded studs and nuts
- For safety information, installation and operating instructions to include nitrogen pre-charge pressure and torque specifications, please see Mattco's pneumatic discharge instruction manual.

Proper sizing and location of pulsation control equipment is essential to its performance. Call us today for your specific application.

